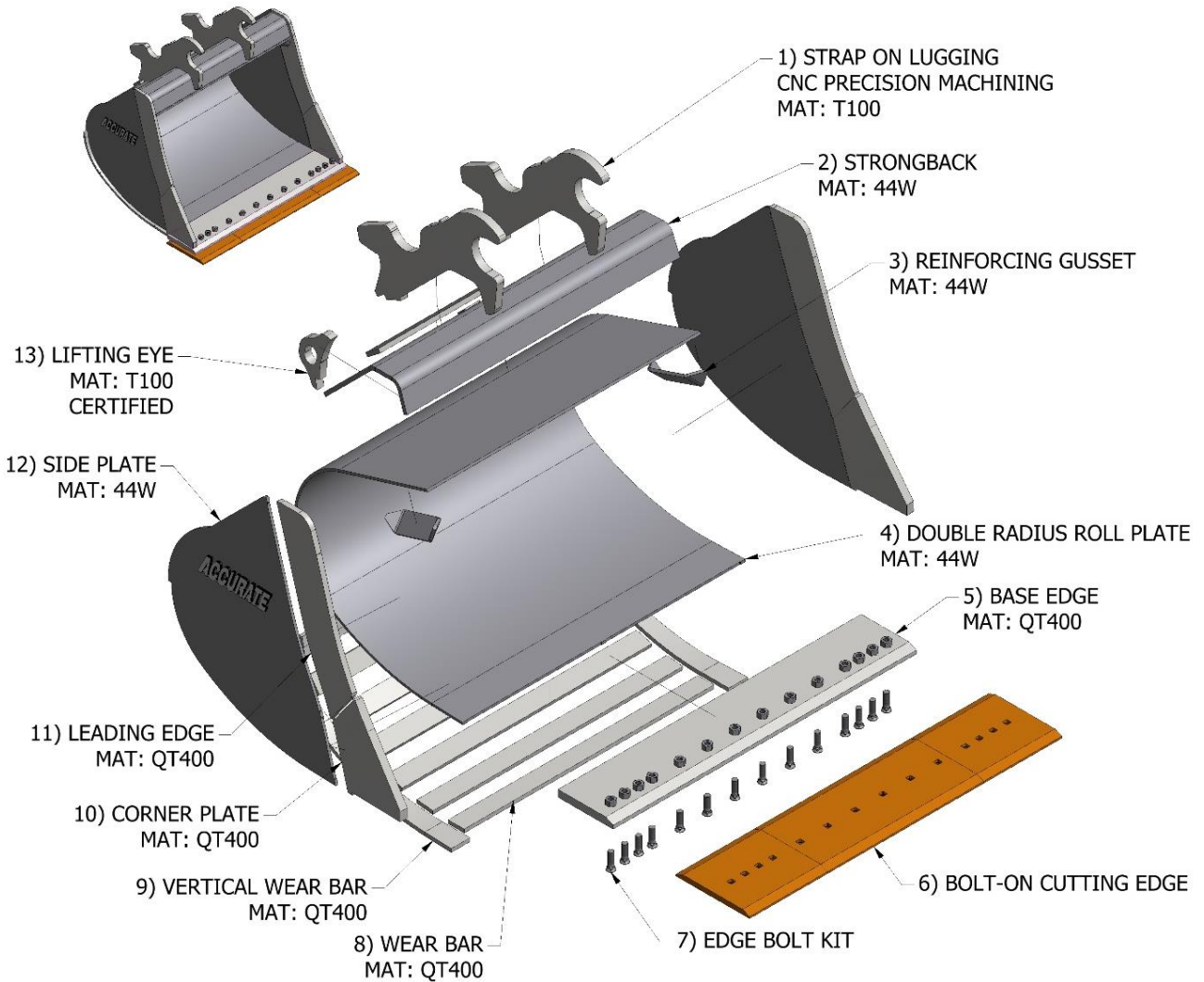


# ACCURATE

Heavy Equipment Attachments & Guarding

## HEAVY DUTY CLEAN-UP BUCKET

(Anatomy)



ACCURATE

# **ACCURATE**

## **Heavy Equipment Attachments & Guarding**

---

Accurate Fabricating's Heavy Duty Clean-up Buckets work in all general purpose and standard heavy-duty digging applications.

### **Features:**

- Heavy duty construction
- Horizontal wear bars
- Dual tapered design for optimum clean-out properties
- Double radius roll plate
- Available in a full range of sizes

### **Benefits:**

- Reduces cycle time by optimizing machine's breakout and crowd forces
- Heavy duty construction increases wear life
- Superior loading capabilities
- SAE (*ISO 7451 - SAE J296-1993*) rated capacity

### **Standard specifications:**

- T100, 100,000 PSI coupler lugging (*All machined contact surfaces*)
- Strap-on lugging construction design
- Reinforced upper corners
- 400 Brinell hardness leading edge & corners
- 400 Brinell hardness base edge
- 400 Brinell hardness horizontal and vertical wear bars
- Engineered & certified lifting lug

### **G.E.T. options:**

- Available on request



*ACCURATE*