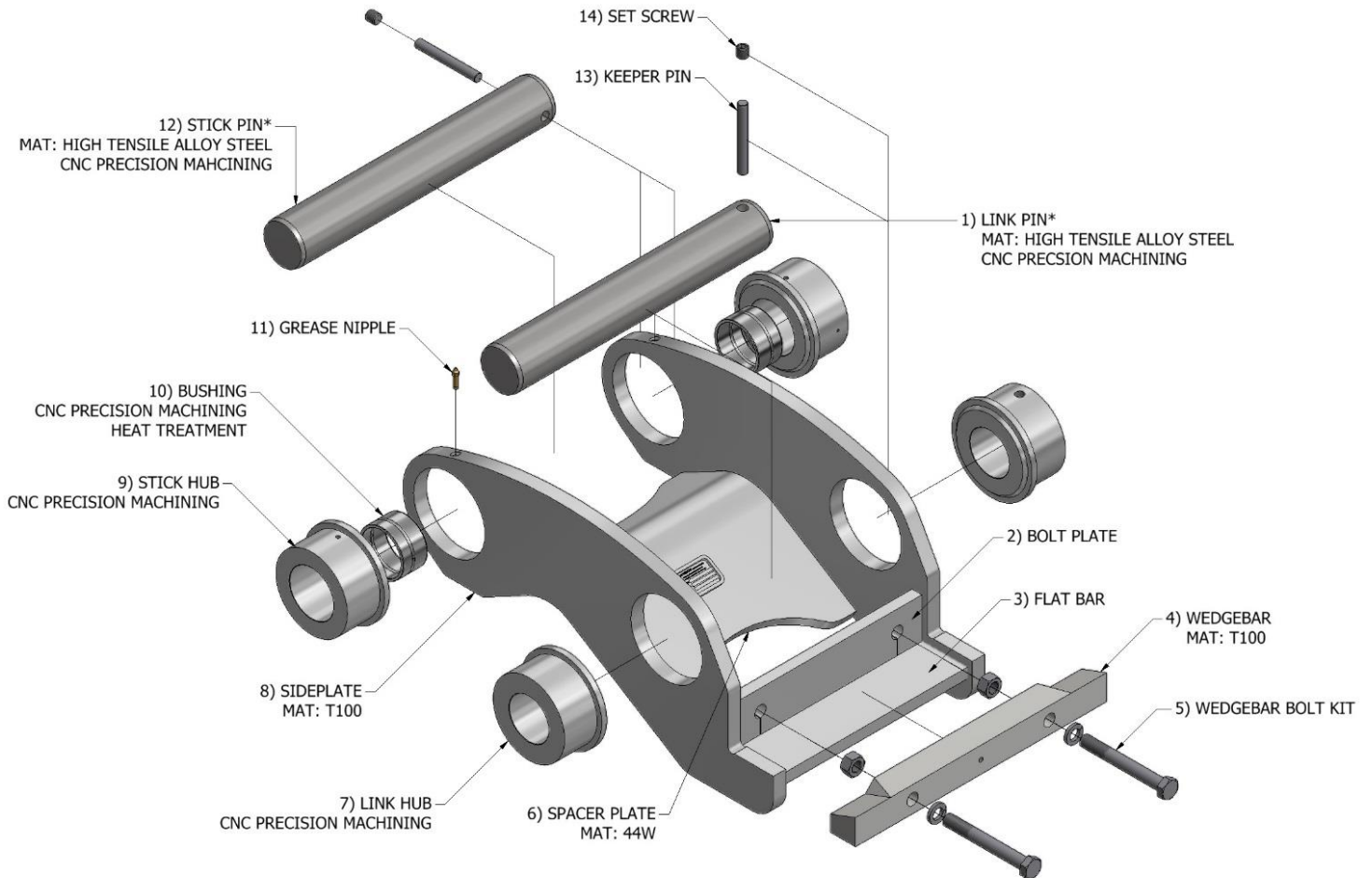


ACCURATE

Heavy Equipment Attachments & Guarding

MANUAL QUICK COUPLER (GENERIC)

(Anatomy)



*Pins are not required for all OEM machine manufacturers.

ACCURATE

ACCURATE

Heavy Equipment Attachments & Guarding

Accurate Fabricating's heavy duty manual wedge coupler is a universal (generic) design specific to each OEM machine of the same weight class, enabling the hookup to be one size fits all, dependable and easy to operate. The coupler offers long life greasable bushings, coupled with heavy duty construction utilizing high grade T100,000 psi steel.

Features:

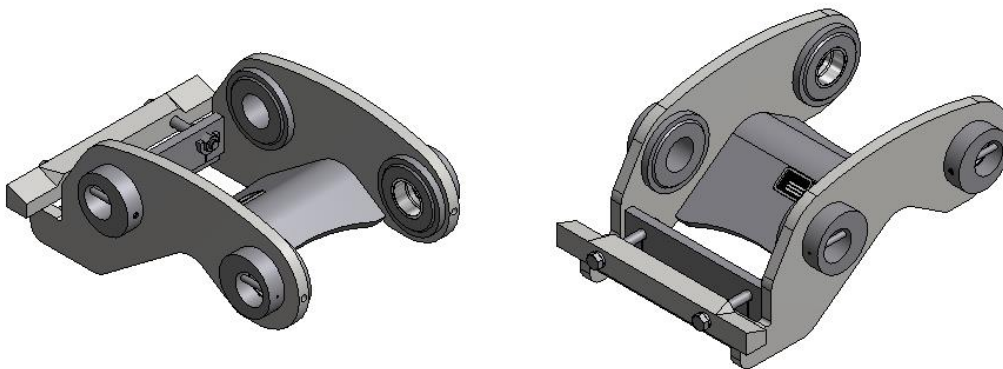
- Replaceable and greasable bushings to combat superficial arm pin wear
- Use of T100 steel (100000 psi) for sideplates and wedgebar
- Central reinforcing using a formed plate (Spacer Pl)
- Open-bottom frame allowing loose material and debris to exit the cylinder area
- Hubs protruding beyond lugging to prevent damage over time
- Wedgebar protruding beyond lugging for easier release

Benefits:

- Universal hook up, allowing reduced attachment inventory for end users operating a variety of OEM machines in the same weight class
- Easy introduction of thumbs that come with full floating or fixed pins
- Available for full range of machine classes up to 90 T

Performance:

- The coupler hubs and wedgebar long life performance exceeds expectations when used with attachment lugs with fully machined contact points. (front saddle, rear saddle, and wedgebar surface)



ACCURATE