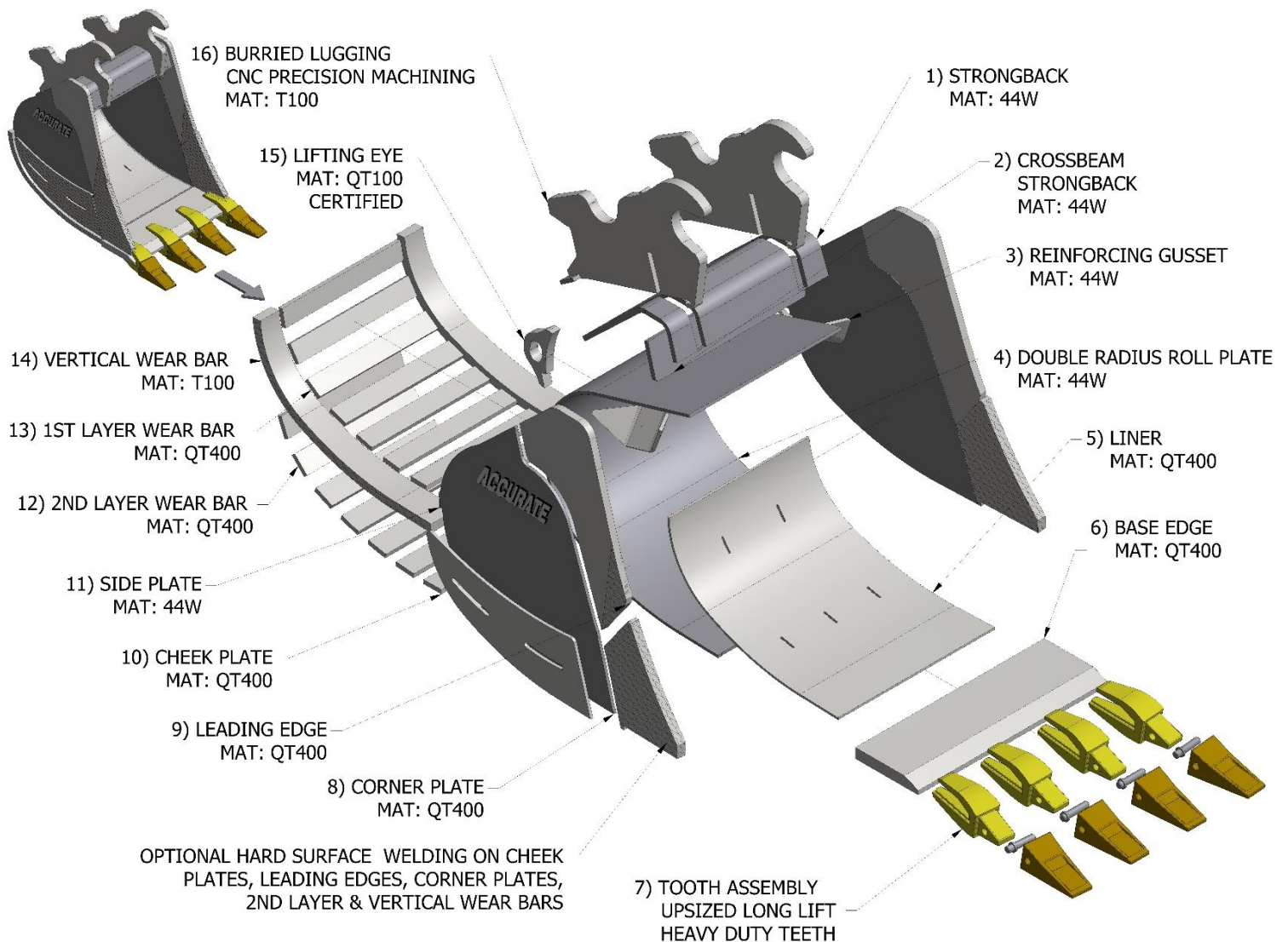


ACCURATE

Heavy Equipment Attachments & Guarding

ROAD BUILDER DIG BUCKET

(Anatomy)



ACCURATE

ACCURATE

Heavy Equipment Attachments & Guarding

Accurate Fabricating's Road Builder Digging Buckets are designed and manufactured to withstand the severest road building & rock digging applications.

Features:

- Increased thickness of wear bars
- vertical outside corner wear bars
- Larger size of edges, adapters and teeth
- Hard surface welding (internal/external)
- Extra heavy duty box beam construction with increased wear life properties
- Dual tapered design for optimum clean-out properties
- Additional internal liners
- Double radius roll plate
- Two-piece leading edge with thicker corner plate
- Available in full range of sizes

Benefits:

- Increased wear life of adapters and teeth
- Increased durability of bucket components
- Superior loading capabilities
- Reduces cycle times by optimizing machine's breakout and crowd forces
- SAE (ISO 7451 - SAE J296-1993) rated capacities

Standard specifications:

- T100, 100,000 PSI coupler lugging (*All machined contact surfaces*)
- Buried lugging construction c/w cross beam design
- Reinforced upper corners
- 400 Brinell hardness leading edge & corners
- Upsized 400 Brinell hardness, base edge & taller corners
- Upsized 400 Brinell hardness radial wear bars & double layer horizontal wear bars
- 400 Brinell hardness outside cheek plates
- Engineered & certified lifting lug
- 400 Brinell hardness shell liner
- Upsized heavy duty long life teeth
- Hard surface welding

G.E.T. options

- Side bar protectors, lip shrouds, etc.
- Available on request

